



Autodesk® Revit® BIM (Building Information Modeling) Drawings

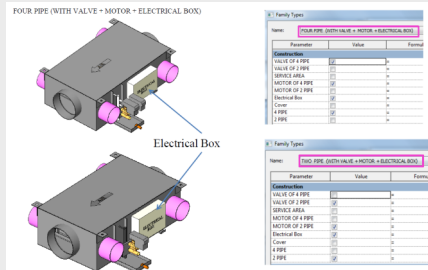
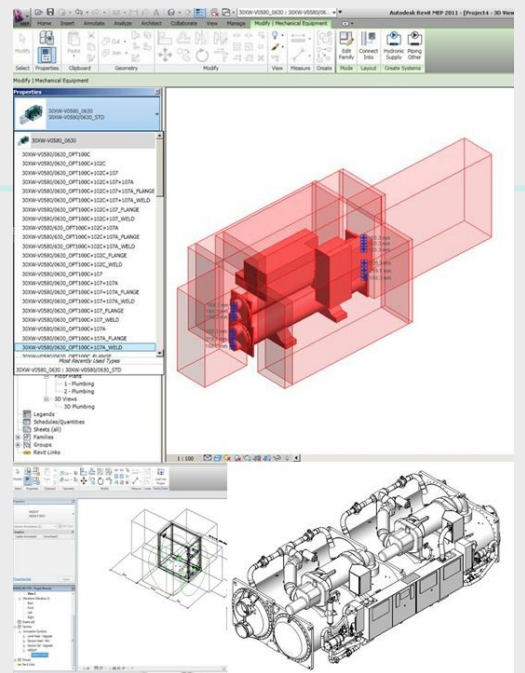
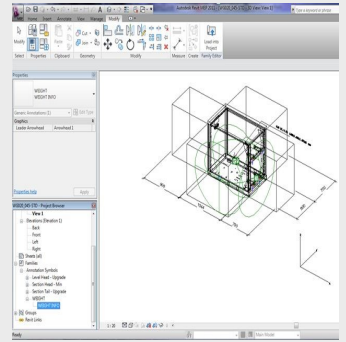
Home

- 30WG/30WGA 020-090
- 30HXC 80-375
- 30XW/30XWH—0252-1762
- 30XWP-ZE_30XWHP-ZE
- 30XW-V/30XWHV 580-1710
- 30XWV-ZE_30XWHV-ZE
- 30RBS_RBSY_039_160
- 30RQS_RQSY_039_160
- 30RBM/RBP 160-520
- 30RQM/RQP 160-520
- 30RB 602-802
- 30XA 252-1702
- 30XAV 500-1150
- 38RBS_039_160
- 61WG 020-090
- 61AF 022-105
- 36XB Hybrid Terminal
- 42N Fan Coil
- 42NL / 42NH Fan Coil
- 42BJ- ICM Fan Coil
- 42GR—MTA Fan Coil
- 42EM Fan Coil
- 39HX

Revit is BIM (Building Information Modeling) software, developed by Autodesk. It allows the user to design with both parametric 3D modeling and 2D drafting elements. Building Information Modeling is a Computer Aided Design (CAD) paradigm that employs intelligent 3D objects to represent real physical building components such as walls and doors .

Select a product family on left menu.
From there, you will be able to choose the appropriate set of files for your equipment.

Please contact your local sales office for Revit drawings for units that are not listed at this time .





Home

30WG/30WGA 020-090

30HXC 80-375

30XW/30XWH—0252-1762

30XWP-ZE_30XWHP-ZE

30XW-V/30XWHV 580-1710

30XWV-ZE_30XWHV-ZE

30RBS_RBSY_039_160

30RQS_RQSY_039_160

30RBM/RBP 160-520

30RQM/RQP 160-520

30RB 602-802

30XA 252-1702

30XAV 500-1150

38RBS_039_160

61WG 020-090

61AF 022-105

36XB Hybrid Terminal

42N Fan Coil

42NL / 42NH Fan Coil

42BJ- ICM Fan Coil

42GR—MTA Fan Coil

42EM Fan Coil

39HX

Autodesk® Revit® BIM (Building Information Modeling) Drawings

30WG / 30WGA
WATER-COOLED / CONDENSERLESS LIQUID CHILLERS
With Scroll compressors



30WG   REVIT Files

30WGA   REVIT Files



Home

30WG/30WGA 020-090

30HXC 80-375

30XW/30XWH—0252-1762

30XWP-ZE_30XWHP-ZE

30XW-V/30XWHV 580-1710

30XWV-ZE_30XWHV-ZE

30RBS_RBSY_039_160

30RQS_RQSY_039_160

30RBM/RBP 160-520

30RQM/RQP 160-520

30RB 602-802

30XA 252-1702

30XAV 500-1150

38RBS_039_160

61WG 020-090

61AF 022-105

36XB Hybrid Terminal

42N Fan Coil

42NL / 42NH Fan Coil

42BJ- ICM Fan Coil

42GR—MTA Fan Coil

42EM Fan Coil

39HX

Autodesk® Revit® BIM (Building Information Modeling) Drawings

30XW / 30XWH
WATER-COOLED LIQUID CHILLERS
With Screw compressors



REVIT Files



Home

30WG/30WGA 020-090

30HXC 80-375

30XW/30XWH—0252-1762

30XWP-ZE_30XWHP-ZE

30XW-V/30XWHV 580-1710

30XWV-ZE_30XWHV-ZE

30RBS_RBSY_039_160

30RQS_RQSY_039_160

30RBM/RBP 160-520

30RQM/RQP 160-520

30RB 602-802

30XA 252-1702

30XAV 500-1150

38RBS_039_160

61WG 020-090

61AF 022-105

36XB Hybrid Terminal

42N Fan Coil

42NL / 42NH Fan Coil

42BJ- ICM Fan Coil

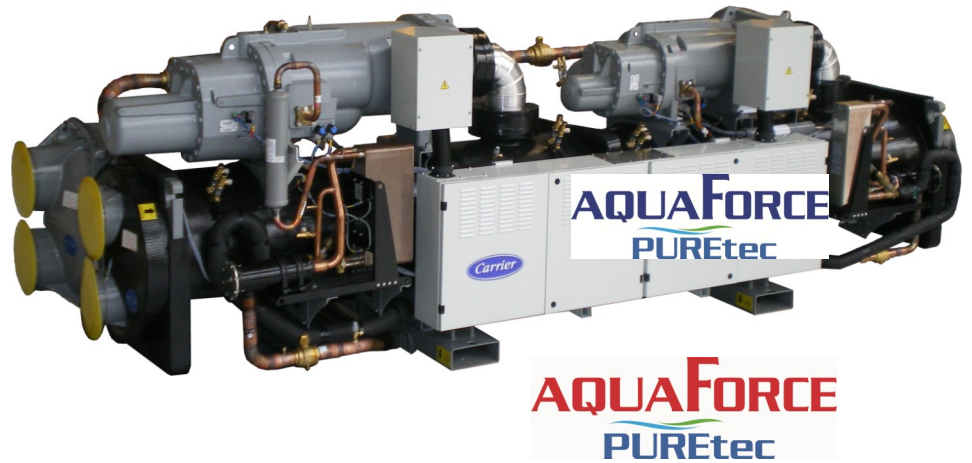
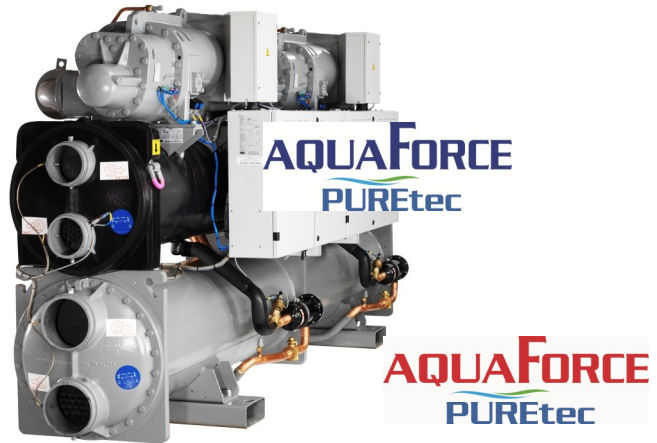
42GR—MTA Fan Coil

42EM Fan Coil

39HX

Autodesk® Revit® BIM (Building Information Modeling) Drawings

30XWP-ZE_30XWHP-ZE
WATER-COOLED LIQUID CHILLERS
WATER TO WATER HEAT PUMP





Home

30WG/30WGA 020-090

30HXC 80-375

30XW/30XWH—0252-1762

30XWP-ZE_30XWHP-ZE

30XW-V/30XWHV 580-1710

30XWV-ZE_30XWHV-ZE

30RBS_RBSY_039_160

30RQS_RQSY_039_160

30RBM/RBP 160-520

30RQM/RQP 160-520

30RB 602-802

30XA 252-1702

30XAV 500-1150

38RBS_039_160

61WG 020-090

61AF 022-105

36XB Hybrid Terminal

42N Fan Coil

42NL / 42NH Fan Coil

42BJ- ICM Fan Coil

42GR—MTA Fan Coil

42EM Fan Coil

39HX

Autodesk® Revit® BIM (Building Information Modeling) Drawings

61WG
WATER TO WATER HEAT PUMPS
With Scroll compressors



REVIT Files



Home

30WG/30WGA 020-090

30HXC 80-375

30XW/30XWH—0252-1762

30XWP-ZE_30XWHP-ZE

30XW-V/30XWHV 580-1710

30XWV-ZE_30XWHV-ZE

30RBS_RBSY_039_160

30RQS_RQSY_039_160

30RBM/RBP 160-520

30RQM/RQP 160-520

30RB 602-802

30XA 252-1702

30XAV 500-1150

38RBS_039_160

61WG 020-090

61AF 022-105

36XB Hybrid Terminal

42N Fan Coil

42NL / 42NH Fan Coil

42BJ- ICM Fan Coil

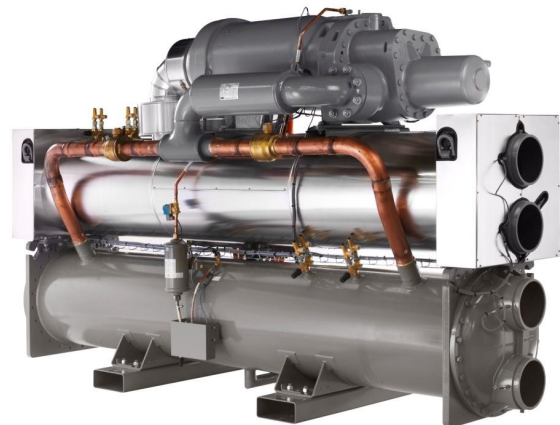
42GR—MTA Fan Coil

42EM Fan Coil

39HX

Autodesk® Revit® BIM (Building Information Modeling) Drawings

30XW-V / 30XWHV
WATER-COOLED LIQUID CHILLERS
With Screw compressors



REVIT Files



Home

30WG/30WGA 020-090

30HXC 80-375

30XW/30XWH—0252-1762

30XWP-ZE_30XWHP-ZE

30XW-V/30XWHV 580-1710

30XWV-ZE_30XWHV-ZE

30RBS_RBSY_039_160

30RQS_RQSY_039_160

30RBM/RBP 160-520

30RQM/RQP 160-520

30RB 602-802

30XA 252-1702

30XAV 500-1150

38RBS_039_160

61WG 020-090

61AF 022-105

36XB Hybrid Terminal

42N Fan Coil

42NL / 42NH Fan Coil

42BJ- ICM Fan Coil

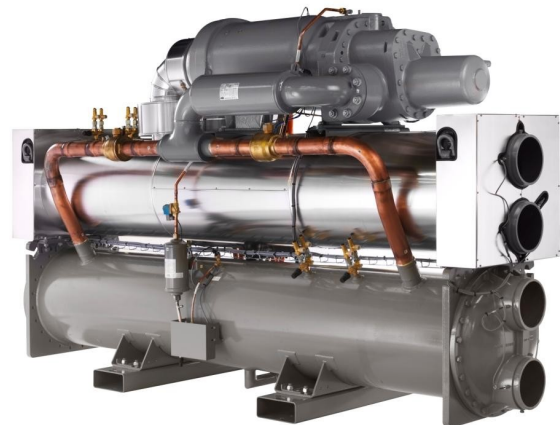
42GR—MTA Fan Coil

42EM Fan Coil

39HX

Autodesk® Revit® BIM (Building Information Modeling) Drawings

30XWV-ZE_30XWHV-ZE
WATER-COOLED LIQUID CHILLERS
WATER TO WATER HEAT PUMP



← **REVIT Files**



Home

30WG/30WGA 020-090

30HXC 80-375

30XW/30XWH—0252-1762

30XWP-ZE_30XWHP-ZE

30XW-V/30XWHV 580-1710

30XWV-ZE_30XWHV-ZE

30RBS_RBSY_039_160

30RQS_RQSY_039_160

30RBM/RBP 160-520

30RQM/RQP 160-520

30RB 602-802

● 30XA 252-1702

30XAV 500-1150

38RBS_039_160

61WG 020-090

61AF 022-105

36XB Hybrid Terminal

42N Fan Coil

42NL / 42NH Fan Coil

42BJ- ICM Fan Coil

42GR—MTA Fan Coil

42EM Fan Coil

39HX

Autodesk® Revit® BIM (Building Information Modeling) Drawings

30XA
AIR-COOLED LIQUID CHILLERS
With Screw compressors



30XA 0252-1702



REVIT Files



Home

30WG/30WGA 020-090

30HXC 80-375

30XW/30XWH—0252-1762

30XWP-ZE_30XWHP-ZE

30XW-V/30XWHV 580-1710

30XWV-ZE_30XWHV-ZE

30RBS_RBSY_039_160

30RQS_RQSY_039_160

30RBM/RBP 160-520

30RQM/RQP 160-520

30RB 602-802

30XA 252-1702

● 30XAV 500-1150

38RBS_039_160

61WG 020-090

61AF 022-105

36XB Hybrid Terminal

42N Fan Coil

42NL / 42NH Fan Coil

42BJ- ICM Fan Coil

42GR—MTA Fan Coil

42EM Fan Coil

39HX

Autodesk® Revit® BIM (Building Information Modeling) Drawings

30XAV
AIR-COOLED LIQUID CHILLERS
With Screw compressors



30XAV 500-1150



REVIT Files



Home

30WG/30WGA 020-090

30HXC 80-375

30XW/30XWH—0252-1762

30XWP-ZE_30XWHP-ZE

30XW-V/30XWHV 580-1710

30XWV-ZE_30XWHV-ZE

30RBS_RBSY_039_160

30RQS_RQSY_039_160

30RBM/RBP 160-520

30RQM/RQP 160-520

30RB 602-802

30XA 252-1702

30XAV 500-1150

38RBS_039_160

61WG 020-090

61AF 022-105

36XB Hybrid Terminal

42N Fan Coil

42NL / 42NH Fan Coil

42BJ- ICM Fan Coil

42GR—MTA Fan Coil

42EM Fan Coil

39HX

Autodesk® Revit® BIM (Building Information Modeling) Drawings

30HXC
WATER-COOLED LIQUID CHILLERS
With Screw compressors





Home

30WG/30WGA 020-090

30HXC 80-375

30XW/30XWH—0252-1762

30XWP-ZE_30XWHP-ZE

30XW-V/30XWHV 580-1710

30XWV-ZE_30XWHV-ZE

30RBS_RBSY_039_160

30RQS_RQSY_039_160

30RBM/RBP 160-520

30RQM/RQP 160-520

30RB 602-802

30XA 252-1702

30XAV 500-1150

38RBS_039_160

61WG 020-090

61AF 022-105

36XB Hybrid Terminal

42N Fan Coil

42NL / 42NH Fan Coil

42BJ- ICM Fan Coil

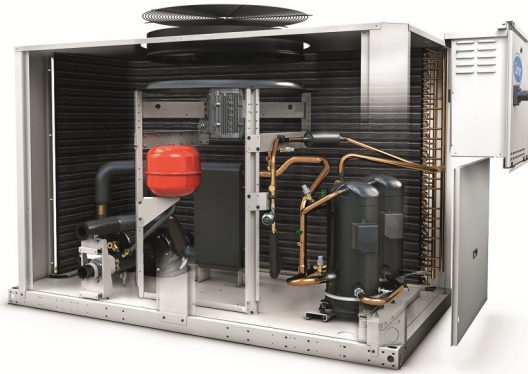
42GR—MTA Fan Coil

42EM Fan Coil

39HX

Autodesk® Revit® BIM (Building Information Modeling) Drawings

30RBS / 30RBSY
AIR-COOLED LIQUID CHILLERS
With Scroll compressors



REVIT Files



Home

30WG/30WGA 020-090

30HXC 80-375

30XW/30XWH—0252-1762

30XWP-ZE_30XWHP-ZE

30XW-V/30XWHV 580-1710

30XWV-ZE_30XWHV-ZE

30RBS_RBSY_039_160

30RQS_RQSY_039_160

30RBM/RBP 160-520

30RQM/RQP 160-520

30RB 602-802

30XA 252-1702

30XAV 500-1150

38RBS_039_160

61WG 020-090

61AF 022-105

36XB Hybrid Terminal

42N Fan Coil

42NL / 42NH Fan Coil

42BJ- ICM Fan Coil

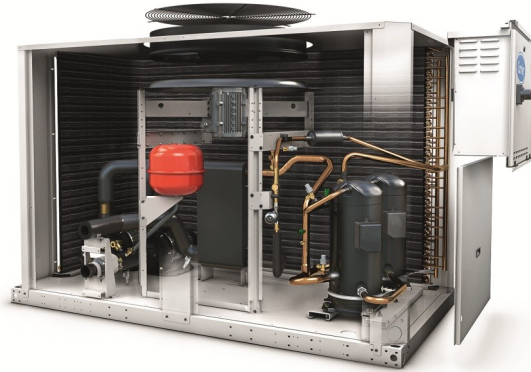
42GR—MTA Fan Coil

42EM Fan Coil

39HX

Autodesk® Revit® BIM (Building Information Modeling) Drawings

30RQS / 30RQSY
AIR TO WATER HEAT PUMPS
With Scroll compressors



REVIT Files



Autodesk® Revit® BIM (Building Information Modeling) Drawings

**30RBM / 30RBP
AIR-COOLED LIQUID CHILLERS
With Scroll compressors**



Home

30WG/30WGA 020-090

30HXC 80-375

30XW/30XWH—0252-1762

30XWP-ZE_30XWHP-ZE

30XW-V/30XWHV 580-1710

30XWV-ZE_30XWHV-ZE

30RBS_RBSY_039_160

30RQS_RQSY_039_160

30RBM/RBP 160-520

30RQM/RQP 160-520

30RB 602-802

30XA 252-1702

30XAV 500-1150

38RBS_039_160

61WG 020-090

61AF 022-105

36XB Hybrid Terminal

42N Fan Coil

42NL / 42NH Fan Coil

42BJ- ICM Fan Coil

42GR—MTA Fan Coil

42EM Fan Coil

39HX



REVIT Files



Home

30WG/30WGA 020-090

30HXC 80-375

30XW/30XWH—0252-1762

30XWP-ZE_30XWHP-ZE

30XW-V/30XWHV 580-1710

30XWV-ZE_30XWHV-ZE

30RBS_RBSY_039_160

30RQS_RQSY_039_160

30RBM/RBP 160-520

30RQM/RQP 160-520

30RB 602-802

30XA 252-1702

30XAV 500-1150

38RBS_039_160

61WG 020-090

61AF 022-105

36XB Hybrid Terminal

42N Fan Coil

42NL / 42NH Fan Coil

42BJ- ICM Fan Coil

42GR—MTA Fan Coil

42EM Fan Coil

39HX

Autodesk® Revit® BIM (Building Information Modeling) Drawings

**30RQM / 30RQP
AIR TO WATER HEAT PUMPS
With Scroll compressors**



REVIT Files



Home

30WG/30WGA 020-090

30HXC 80-375

30XW/30XWH—0252-1762

30XWP-ZE_30XWHP-ZE

30XW-V/30XWHV 580-1710

30XWV-ZE_30XWHV-ZE

30RBS_RBSY_039_160

30RQS_RQSY_039_160

30RBM/RBP 160-520

30RQM/RQP 160-520

● **30RB 602-802**

30XA 252-1702

30XAV 500-1150

38RBS_039_160

61WG 020-090

61AF 022-105

36XB Hybrid Terminal

42N Fan Coil

42NL / 42NH Fan Coil

42BJ- ICM Fan Coil

42GR—MTA Fan Coil

42EM Fan Coil

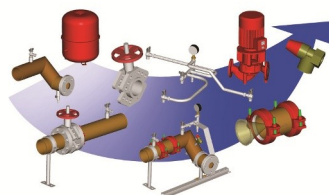
39HX

Autodesk® Revit® BIM (Building Information Modeling) Drawings

30RB
AIR-COOLED LIQUID CHILLERS
With Scroll compressors



REVIT Files





Home

30WG/30WGA 020-090

30HXC 80-375

30XW/30XWH—0252-1762

30XWP-ZE_30XWHP-ZE

30XW-V/30XWHV 580-1710

30XWV-ZE_30XWHV-ZE

30RBS_RBSY_039_160

30RQS_RQSY_039_160

30RBM/RBP 160-520

30RQM/RQP 160-520

30RB 602-802

30XA 252-1702

30XAV 500-1150

38RBS_039_160

61WG 020-090

61AF 022-105

36XB Hybrid Terminal

42N Fan Coil

42NL / 42NH Fan Coil

42BJ- ICM Fan Coil

42GR—MTA Fan Coil

42EM Fan Coil

39HX

Autodesk® Revit® BIM (Building Information Modeling) Drawings

38RBS
AIR-COOLED CONDENSING UNIT
With Scroll compressors





Home

30WG/30WGA 020-090

30HXC 80-375

30XW/30XWH—0252-1762

30XWP-ZE_30XWHP-ZE

30XW-V/30XWHV 580-1710

30XWV-ZE_30XWHV-ZE

30RBS_RBSY_039_160

30RQS_RQSY_039_160

30RBM/RBP 160-520

30RQM/RQP 160-520

30RB 602-802

30XA 252-1702

30XAV 500-1150

38RBS_039_160

61WG 020-090

61AF 022-105

36XB Hybrid Terminal

42N Fan Coil

42NL / 42NH Fan Coil

42BJ- ICM Fan Coil

42GR—MTA Fan Coil

42EM Fan Coil

39HX

Autodesk® Revit® BIM (Building Information Modeling) Drawings

61AF
AIR TO WATER HEAT PUMPS –HEATING ONLY
With Scroll compressors





Home

30WG/30WGA 020-090

30HXC 80-375

30XW/30XWH—0252-1762

30XWP-ZE_30XWHP-ZE

30XW-V/30XWHV 580-1710

30XWV-ZE_30XWHV-ZE

30RBS_RBSY_039_160

30RQS_RQSY_039_160

30RBM/RBP 160-520

30RQM/RQP 160-520

30RB 602-802

30XA 252-1702

30XAV 500-1150

38RBS_039_160

61WG 020-090

61AF 022-105

36XB Hybrid Terminal

42N Fan Coil

42NL / 42NH Fan Coil

42BJ- ICM Fan Coil

42GR—MTA Fan Coil

42EM Fan Coil

39HX

Autodesk® Revit® BIM (Building Information Modeling) Drawings

39HX AIR HANDLING UNITS



← *REVIT Files*



Autodesk® Revit® BIM (Building Information Modeling) Drawings

Home

30WG/30WGA 020-090

30HXC 80-375

30XW/30XWH—0252-1762

30XWP-ZE_30XWHP-ZE

30XW-V/30XWHV 580-1710

30XWV-ZE_30XWHV-ZE

30RBS_RBSY_039_160

30RQS_RQSY_039_160

30RBM/RBP 160-520

30RQM/RQP 160-520

30RB 602-802

30XA 252-1702

30XAV 500-1150

38RBS_039_160

61WG 020-090

61AF 022-105

36XB Hybrid Terminal

42N Fan Coil

42NL / 42NH Fan Coil

42BJ- ICM Fan Coil

42GR—MTA Fan Coil

42EM Fan Coil

39HX

42N FAN COIL TERMINAL UNITS





Home

30WG/30WGA 020-090

30HXC 80-375

30XW/30XWH—0252-1762

30XWP-ZE_30XWHP-ZE

30XW-V/30XWHV 580-1710

30XWV-ZE_30XWHV-ZE

30RBS_RBSY_039_160

30RQS_RQSY_039_160

30RBM/RBP 160-520

30RQM/RQP 160-520

30RB 602-802

30XA 252-1702

30XAV 500-1150

38RBS_039_160

61WG 020-090

61AF 022-105

36XB Hybrid Terminal

42N Fan Coil

42NL / 42NH Fan Coil

42BJ- ICM Fan Coil

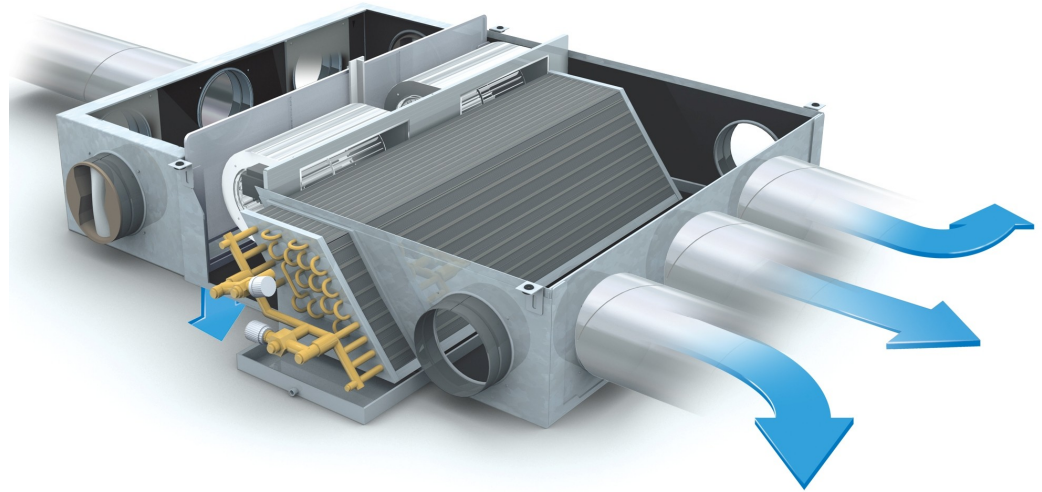
42GR—MTA Fan Coil

42EM Fan Coil

39HX

Autodesk® Revit® BIM (Building Information Modeling) Drawings

42EM
FAN COIL TERMINAL UNITS
Ducted



REVIT Files



Home

30WG/30WGA 020-090

30HXC 80-375

30XW/30XWH—0252-1762

30XWP-ZE_30XWHP-ZE

30XW-V/30XWHV 580-1710

30XWV-ZE_30XWHV-ZE

30RBS_RBSY_039_160

30RQS_RQSY_039_160

30RBM/RBP 160-520

30RQM/RQP 160-520

30RB 602-802

30XA 252-1702

30XAV 500-1150

38RBS_039_160

61WG 020-090

61AF 022-105

36XB Hybrid Terminal

42N Fan Coil

42NL / 42NH Fan Coil

42BJ- ICM Fan Coil

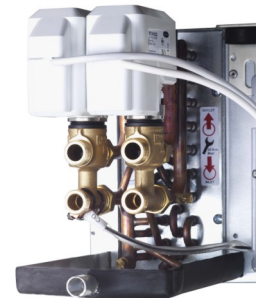
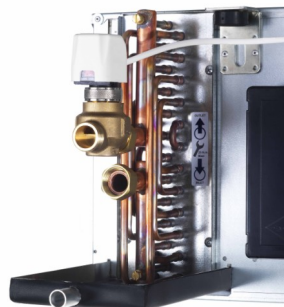
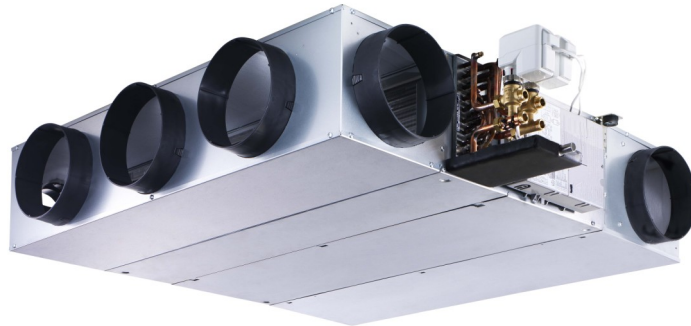
42GR—MTA Fan Coil

42EM Fan Coil

39HX

Autodesk® Revit® BIM (Building Information Modeling) Drawings

42NL / NH
FAN COIL TERMINAL UNITS
Ducted



← REVIT Files



Home

30WG/30WGA 020-090

30HXC 80-375

30XW/30XWH—0252-1762

30XWP-ZE_30XWHP-ZE

30XW-V/30XWHV 580-1710

30XWV-ZE_30XWHV-ZE

30RBS_RBSY_039_160

30RQS_RQSY_039_160

30RBM/RBP 160-520

30RQM/RQP 160-520

30RB 602-802

30XA 252-1702

30XAV 500-1150

38RBS_039_160

61WG 020-090

61AF 022-105

36XB Hybrid Terminal

42N Fan Coil

42NL / 42NH Fan Coil

42BJ- ICM Fan Coil

42GR—MTA Fan Coil

42EM Fan Coil

39HX

Autodesk® Revit® BIM (Building Information Modeling) Drawings

42GR...MTA
FAN COIL TERMINAL UNITS
Ducted



REVIT Files



Home

30WG/30WGA 020-090

30HXC 80-375

30XW/30XWH—0252-1762

30XWP-ZE_30XWHP-ZE

30XW-V/30XWHV 580-1710

30XWV-ZE_30XWHV-ZE

30RBS_RBSY_039_160

30RQS_RQSY_039_160

30RBM/RBP 160-520

30RQM/RQP 160-520

30RB 602-802

30XA 252-1702

30XAV 500-1150

38RBS_039_160

61WG 020-090

61AF 022-105

36XB Hybrid Terminal

42N Fan Coil

42NL / 42NH Fan Coil

42BJ- ICM Fan Coil

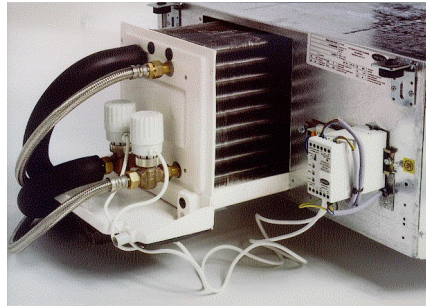
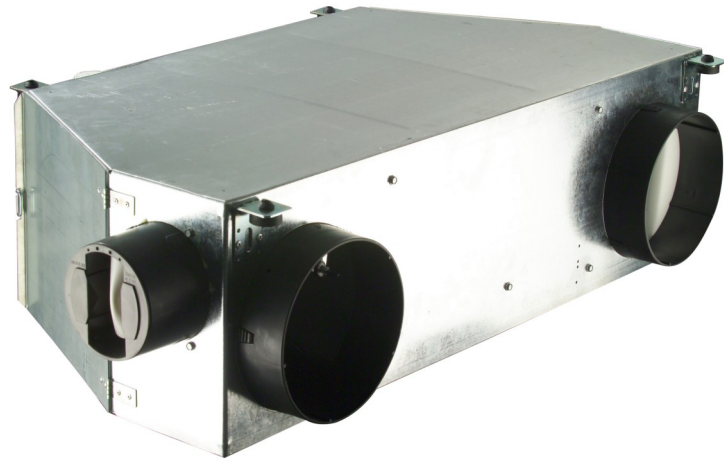
42GR—MTA Fan Coil

42EM Fan Coil

39HX

Autodesk® Revit® BIM (Building Information Modeling) Drawings

42BJ...ICM
FAN COIL TERMINAL UNITS
Ducted



REVIT Files



Home

30WG/30WGA 020-090

30HXC 80-375

30XW/30XWH—0252-1762

30XWP-ZE_30XWHP-ZE

30XW-V/30XWHV 580-1710

30XWV-ZE_30XWHV-ZE

30RBS_RBSY_039_160

30RQS_RQSY_039_160

30RBM/RBP 160-520

30RQM/RQP 160-520

30RB 602-802

30XA 252-1702

30XAV 500-1150

38RBS_039_160

61WG 020-090

61AF 022-105

36XB Hybrid Terminal

42N Fan Coil

42NL / 42NH Fan Coil

42BJ- ICM Fan Coil

42GR—MTA Fan Coil

42EM Fan Coil

39HX

Autodesk® Revit® BIM (Building Information Modeling) Drawings

36XB HYBRID TERMINAL UNITS



← *REVIT Files*